

MATERIAL SPECIFICATION

C	ASTM A240 316 OR 316L
---	-----------------------

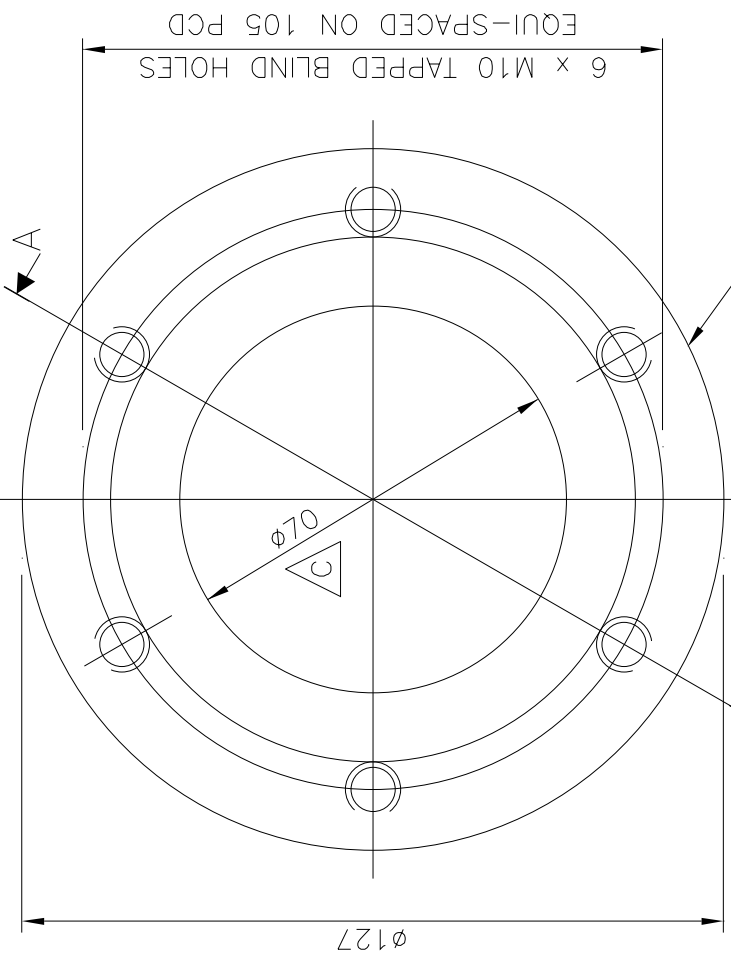


**B** N8 / ALL OVER U.O.S.

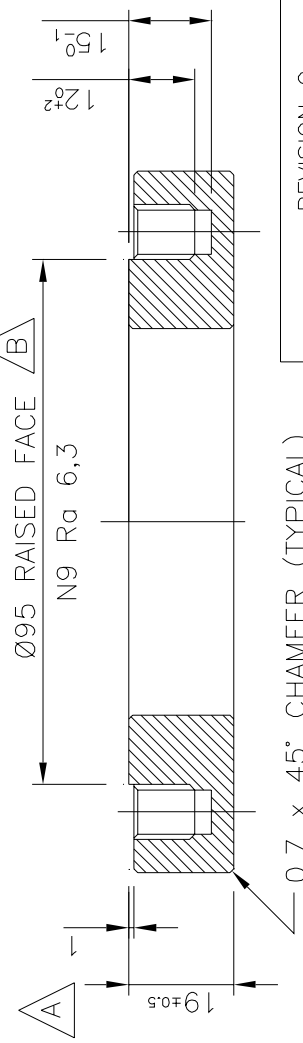
NOTE:

FLANGES TOLERANCED TO ANSI B16.5 U.O.S.  
REMOVE ALL SHARP EDGES AND BURRS  
PICKLE & PASSIVATE FLANGE

DO NOT SCALE DRAWING



PLAN  
SCALE 1:1



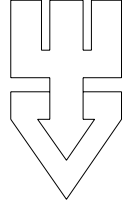
SECTION A-A  
SCALE 1:1



1	1	C	8067	FLANGE Ex PL20 x 70 I/D x 127 O/D	REF
ITEM	QTY	MAT	BOP Pg/No	DESCRIPTION	

PARTS LIST

**CONSANI ENGINEERING (PTY) LTD**  
ELSIES RIVER, CAPE SOUTH AFRICA  
TEL. 590-3400  
FAX. 591-2825



INTERMODAL CONTAINERS  
THIS DRAWING AND INFORMATION IS THE PROPERTY OF CONSANI ENGINEERING (PTY) LTD AND MAY NOT BE REVEALED TO ANY THIRD PARTY WITHOUT OUR WRITTEN PERMISSION.  
CAD:

REVISION C		DRAWING APPROVAL				
AUTHORITY	SIGN.	DATE	DESCRIPTION	AUTHORITY	SIGNATURE	DATE
DRAWN	S.G	11/3/99	ID REVISED FROM Ø76 TO Ø70mm.	DESIGN	S.E.	23/3/94
DESIGN	E.M	11/3/99		QUALITY ASSURANCE	P.B.	7/4/94
QUALITY ASSURANCE				CONTRACTS	M.H.	7/4/94
CONTRACTS	A.C	11/3/99		INSPECTION AUTHORITY		
INSPECTION AUTHORITY				CLIENT		

2 1/2" PRESSURE RELIEF VALVE  
WELD PAD

CLIENT	SCALE 1:1	DRAWING No.	REV
W.O.	DRAWN K.E.	CSTD 329	C
	CHECKED		
	DATE 28/02/96		