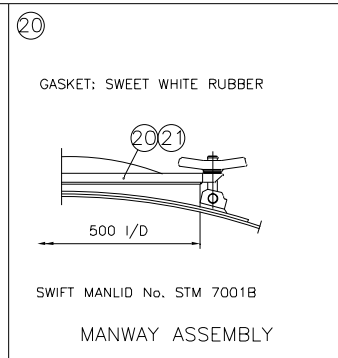
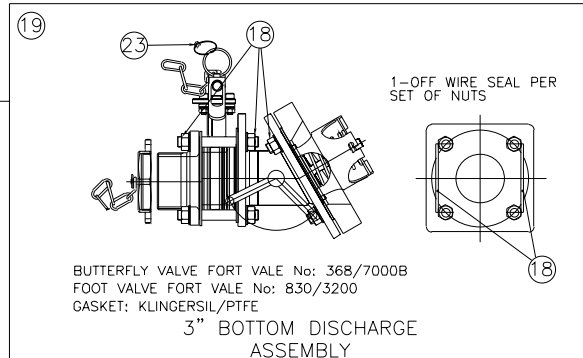
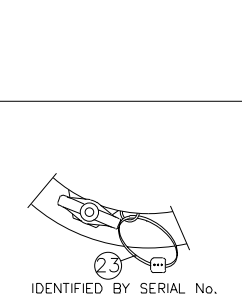
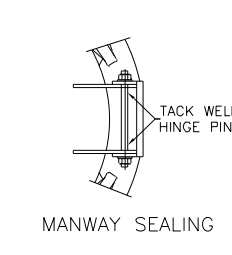
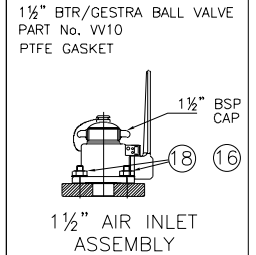
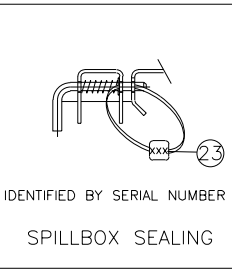
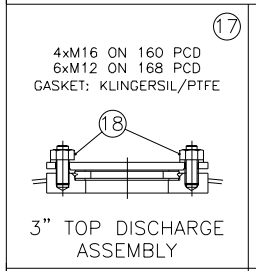
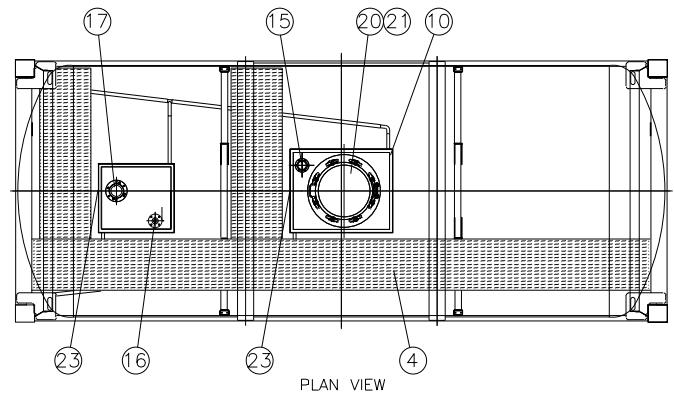
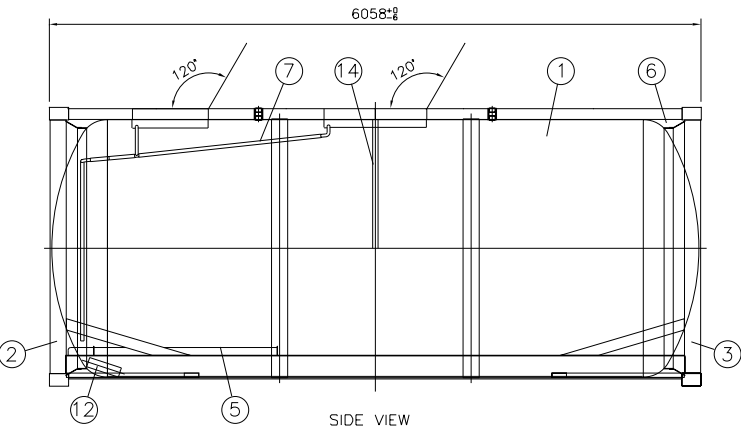
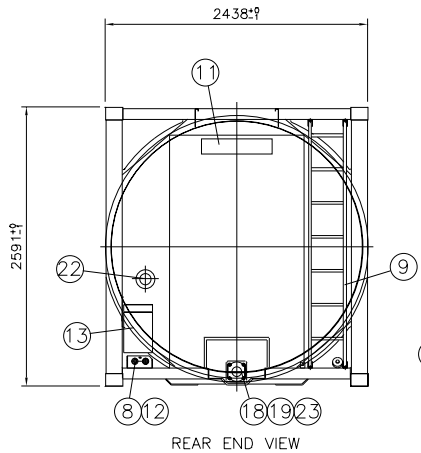


INTERNALS AND WELDING	
SHELL	
INTERNAL SHELL FINISH	2B FINISH
LONGITUDINAL WELDS	AS WELDED
CIRCULAR WELDS	BOTTOM 400mm GROUND FLUSH & POLISHED
	REMAINDER POLISHED TO 180 GRIT
	(R _a =1.3µm MAX.)
DISHED ENDS	
INTERNAL SURFACE	POLISHED TO 180 GRIT (R _a =1.3µm MAX.)
WELD SEAMS	GROUND FLUSH
CLEANING	
ON COMPLETION OF FABRICATION, THE VESSELS INTERNAL SURFACE IS TO BE DEGREASED, PICKLED, PASSIVATED AND NEUTRALISED. A WHITE CLOTH TEST IS TO BE PERFORMED ON THE INTERNAL SURFACE TO CHECK FOR CLEANLINESS. THE OPENING POINTS ARE TO BE SEALED SO THAT THE VESSEL IS SUPPLIED CLEAN AND READY FOR USE. A CLEANING CERTIFICATE IS TO BE PROVIDED IN THE DOCUMENT HOLDER.	
FORT VALE 2½" SUPER MAXI HIGHFLOW RELIEF VALVE(S);	
QUANTITY OF VALVES	2 <input type="checkbox"/> 1+PROVISION <input type="checkbox"/> 1 <input checked="" type="checkbox"/>
MODEL	PRESSURE ONLY: 010/16300 <input checked="" type="checkbox"/> PRESS/VAC WITH GAUZE: 610/16312 <input type="checkbox"/>
FIRE SHIELD	NO <input type="checkbox"/>
BURST DISC	PROVISION <input type="checkbox"/>
MANOMETER	PROVISION <input type="checkbox"/>
REDUCTION FACTORS IF APPLICABLE	
FIRE SHIELD 1% : RF=0,99	<input type="checkbox"/>
BURST DISC 10% : RF=0,90	<input type="checkbox"/>
FULL FLOW RATE OF VALVE = 16036m ³ /Hr	
ACTUAL FLOW RATE = QUANTITY×FULL FLOW×REDUCTION FACTORS	
= 16036m ³ /Hr (15)	



MATERIAL SPECIFICATION						
C	ASTM A240 316	O	P.V.C.	J	BRAIDED PTFE	
Y	S/S 316					
PARTS LIST						
No.	QTY	MAT	STOCK CODE	DESCRIPTION	DIMENSIONS	REFERENCE
1	1			TANK DETAILS		2442-02-2296
2	1			REAR FRAME ASSEMBLY		2442-02-2303
3	1			FRONT FRAME DETAIL		2442-02-2304
4	1			WALKWAYS		2442-02-2377
5	1			REMOTE CONTROL		2442-02-2358
6	1			INSULATION DETAILS		2442-02-2313
7	1			DRAIN TUBE DETAILS		2442-02-2317
8	1			STEAM HEATING		HO3U-2307B
9	1			LADDER DETAIL		CSTD-2414
10	1			WELD PAD AND SPLIBOX ORIENTATION		2442-02-2297
11	1			MARKINGS		2442-02-2357
12	1			DOCUMENT HOLDER FIXING & REAR FRAME ATTACHMENTS		2442-02-2311
13	1			DATA PLATE		2442-02-1204
14	1			CALIBRATED DIPSTICK		CSTD-2157
15	1	8126		2½" SAFETY RELIEF VALVE ASSEMBLY		2442-02-1060
16	1	12028		1½" AIR INLET ASSEMBLY		2442-02-590
17	1			3" TOP DISCHARGE ASSEMBLY		CSTD-1058
18	10	Y		WIRE SEAL	Ø2x120 LG	
19	1			3" BOTTOM DISCHARGE ASSEMBLY		2442-02-51
20	1	C	11198	MANWAY	8 POINT 500 I/D	
21	1	J		MANWAY GASKET		
22	1	Y	8120	THERMOMETER	-20 to 200°C; 0 to 400°F	2442-02-2313
23	4	O		TIR SEAL		

MATERIAL SPECIFICATION	
CODES AND REGULATIONS	US DOT, TIR CUSTOMS, BUREAU VERITAS, ISO 9001, ISO 1496/2, ASME VIII DIV 1 2001 (not u stamped)
CONTENTS: PRODUCT OF CLASS	3, 5.1, 6.1, 8 AND 9 AS APPLICABLE
M.P.G.M.	36 000kg
TARE MASS	
STACKING LOAD	86 400kg PER CORNER CASTING
	VESSEL HEATING SYSTEM
DESIGN PRESSURE	4 BAR 10 BAR
HYDROSTATIC TEST PRESSURE	6 BAR SHOP 13 BAR FIELD 13 BAR
RID/ADR CALCULATION PRESSURE	6 BAR
MAXIMUM EXTERNAL PRESSURE	0.41 BAR
TANK METAL DESIGN TEMPERATURE RANGE	130°C (266°F); -40°C (-40°F)
JOINT EFFICIENCY	SHELL 0,85 DISHED END 1,0
RADIOGRAPHY	SHELL SPOT DISHED END 100%
CORROSION ALLOWANCE	0
LEAKAGE TEST	YES
DYE PENETRATION EXAMINATION	WHERE APPLICABLE
INSULATION: SHELL	MINERALWOOL 55kg/m ³ - 50mm THICK.
INSULATION: HEADS	GLASSWOOL 16kg/m ³ - TO SUIT
INSULATION: STEAM COILS	MINERALWOOL 55kg/m ³ - 50mm THICK.
CLADDING SHELL: - GRADE 5251	0,8mm PREPAINTED WHITE ALUMINIUM
CLADDING HEADS:	G.R.P. (WHITE RAL 9010)
FINISH: SHOTBLAST	SA 2½
PAINT: FRAME	30µm DFT 1ST COAT HEMPADUR ZINC RED 1536
	30µm DFT 2ND COAT HEMPADUR PRIMER GREY 1530
	70µm DFT TOP COAT HEMPATEX HI-BUILD 4641
MINIMUM DRY FILM THICKNESS	130µm DFT
TOP COAT COLOUR:	JET BLACK RAL 9005
LADDER:	HOT DIPPED GALVANISED
ANTI STRESS CORROSION LACQUER	OVER COMPLETE BARREL (15 to 25µm D.F.T.)
INSPECTION AUTHORITY	BUREAU VERITAS
P NUMBER:	P29780 TO P29806, P29777, P31190 TO P31211 & P31225

REVISION E		REVISION D		REVISION C		REVISION B		REVISION A		DRAWING APPROVAL		NOMINAL DIMENSIONS (SHORT SIDE OF TRIANGLE)		NOMINAL DIMENSIONS		
AUTHORITY	SIGN, DATE	AUTHORITY	SIGN, DATE	AUTHORITY	SIGN, DATE	AUTHORITY	SIGN, DATE	AUTHORITY	SIGN, DATE	AUTHORITY	SIGNATURE, DATE	DEGREES & MINUTES	MM/M	ABOVE TO	ABOVE TO	
DRAWN		DRAWN		DRAWN	R.R. 06/02/02	DRAWN	R.R. 06/02/02	DRAWN	R.R. 17/02/02	QTY. CHANGED WAS 50-OFF NOW 51-OFF		A	± 20' ± 15' ± 10' ± 6 ± 4,5 ± 3 ± 1 ± 1 ± 2 ± 3 ± 4 ± 4 ± 6	1000	B	± 45' ± 30' ± 20' ± 13 ± 9 ± 6 ± 2 ± 2 ± 3 ± 4 ± 6 ± 8 ± 10
DESIGN		DESIGN		DESIGN	S.E. 06/02/02	DESIGN	S.E. 06/02/02	DESIGN	S.E. 17/02/02			C	± 1' ± 45' ± 30' ± 18 ± 13 ± 9 ± 3 ± 4 ± 6 ± 8 ± 11 ± 14 ± 18	1000	D	± 1' ± 30' ± 1' ± 26 ± 22 ± 18 ± 4 ± 7 ± 9 ± 12 ± 16 ± 21 ± 27
QUALITY ASSURANCE		QUALITY ASSURANCE		QUALITY ASSURANCE		QUALITY ASSURANCE	A.L. 06/02/02	QUALITY ASSURANCE	A.L. 17/02/02			DIN 8570 PART 1		FROM 0-30 TOLERANCE ±1		DIN 8570 PART 3
CONTRACTS		CONTRACTS		CONTRACTS		CONTRACTS		CONTRACTS				DIN 8570 PART 1		FROM 0-30 TOLERANCE ±1		DIN 8570 PART 3
INSPECTION AUTHORITY		INSPECTION AUTHORITY		INSPECTION AUTHORITY		INSPECTION AUTHORITY		INSPECTION AUTHORITY		CLIENT		DIN 8570 PART 1		FROM 0-30 TOLERANCE ±1		DIN 8570 PART 3

CONANSI ENGINEERING (PTY) LTD
ELSIES RIVER, CAPE SOUTH AFRICA
TEL. 590-3400 FAX. 591-2825

INTERMODAL CONTAINERS

71 x 25 000 LITRE HO3 TANK CONTAINERS GENERAL ARRANGEMENT

CLIENT	OCI	SCALE	1:25	DRAWING NUMBER	2442-02-2295	REVISION	C
WORKS ORDER	2442	DRAWN	RASHAAD	CHECKED		DATE	13/02/02

THIS DRAWING AND INFORMATION IS THE PROPERTY OF CONANSI ENG. (PTY) LTD AND MAY NOT BE RELEASED TO ANY THIRD PARTY WITHOUT OUR WRITTEN PERMISSION.
CAD: 24422295c